



# VILLAIN SX10 *ACCESSORIES*



Make the powersports your own business, you need a partner like Segway to provide reliable and durable vehicles as long as other shop promotion materials, make it professional and profitable.

[powersports.segway.com](http://powersports.segway.com)





ACCESSORIES



# PC FULL FRONT WINDSHIELD



## ACCESSORIES

Impact-resistant /Tight seal keeps out rain and dust

## PC FULL FRONT WINDSHIELD

- S05R10200000000
- High-strength Transparent PC
- Wear-resistance, Anti-cracking, Anti-ultraviolet
- Protect From Bad Weather
- Quickly Installed Or Removed



# HALF WINDSHIELD

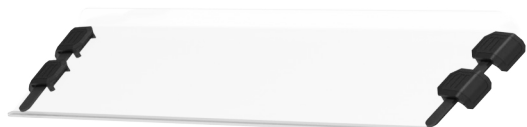


## ACCESSORIES

Lightweight, flexible, easy to store/remove

## HALF WINDSHIELD

- S01R20101001
- High-strength Transparent PC
- Wear-resistance, Anti-cracking, Anti-ultraviolet
- With Upward Lip To Deflect Airflow
- Prevent High-speed Airflow On Driver





# TIRE HOLDER



## ACCESSORIES

### TIRE HOLDER

- > High-strength 45mm Diameter Steel
- > Pipe Structure; Weight About 4.33kg;
- > Convenient To Hold Spare Tire
- > 93\*36\*17cm
- > S01-R001400-FB0-00 ●
- > S01-R001400-FR0-00 ●
- > S01-R001400-FG0-00 ●



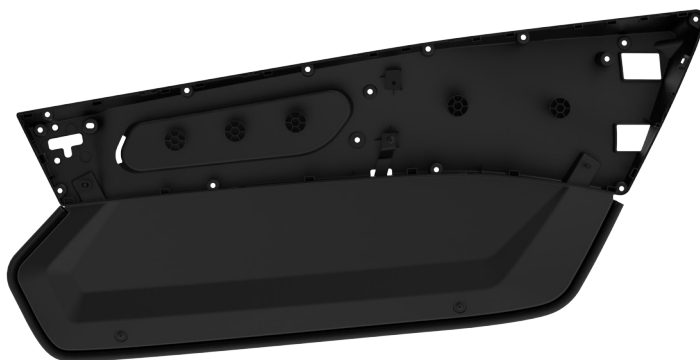


# HALF DOOR



## HALF DOOR

- S01R02010000000
- Prevent mud from being thrown on driver and occupants when driving in mud



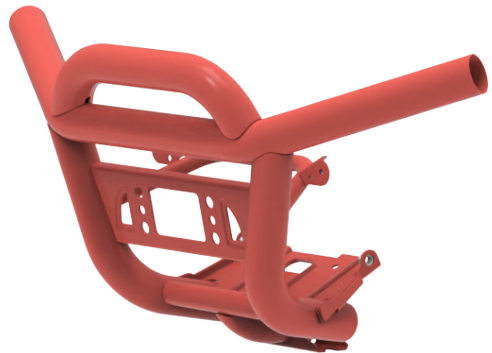


# FRONT BUMPER



## FRONT BUMPER

- High-strength 45mm Diameter Steel Pipe
- Structure; Weight About 5.443kg;
- Protection For Vehicle Front;
- Internal And External Anti-corrosion Coating
- External Powder Coating
- 82\*38.5\*29
- S01-R001100-FB0-00 ●
- S01-R001100-FR0-00 ●
- S01-R001100-FG0-00 ●





# REAR BUMPER



## REAR BUMPER

- High-strength 45mm Diameter Steel Pipe
- Structure; Weight About 6.573kg;
- Protection For Vehicle Back;
- Internal And External Anti-corrosion Coating
- External Powder Coating
- S01-R001200-FB0-00 ●
- S01-R001200-FR0-00 ●
- S01-R001200-FG0-00 ●





# REAR BUMPER

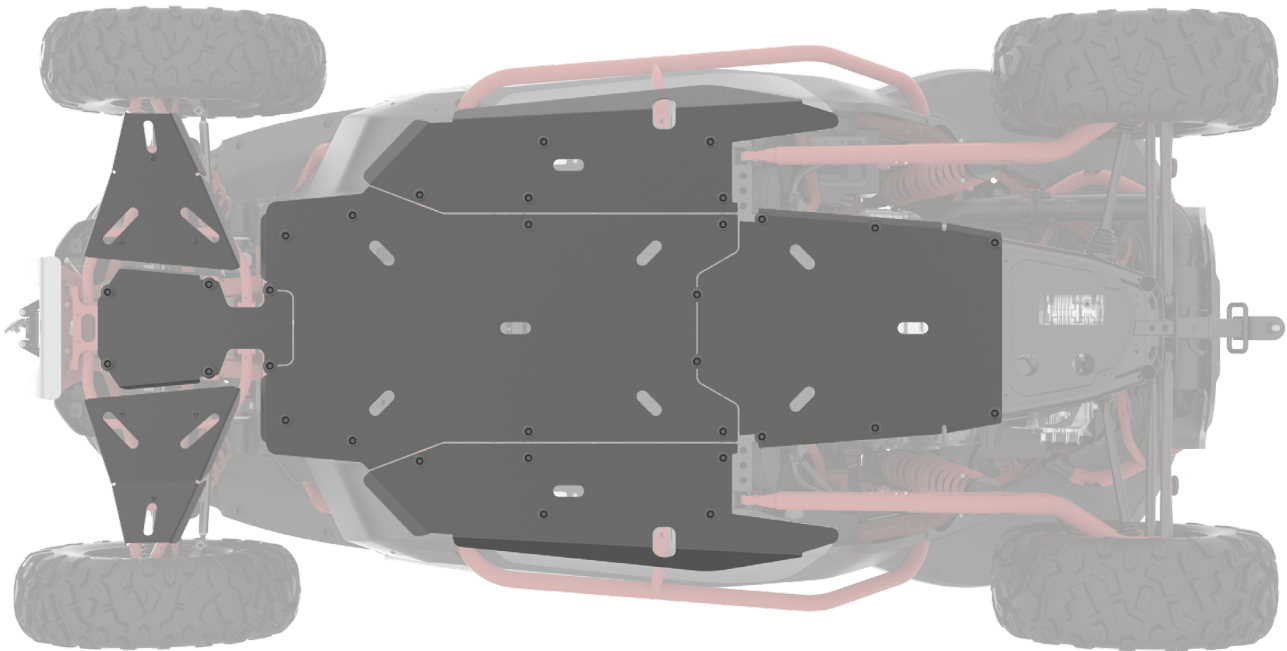


## REAR BUMPER

- High-strength 45mm Diameter Steel Pipe
- Structure;
- Weight About 5.327kg;
- Protection For Vehicle Sides;
- Internal And External Anti-corrosion
- Coating External Powder Coating  
158\*54\*25cm
- S01-R001300-FB0-00 ●
- S01-R001300-FR0-00 ●
- S01-R001300-FG0-00 ●

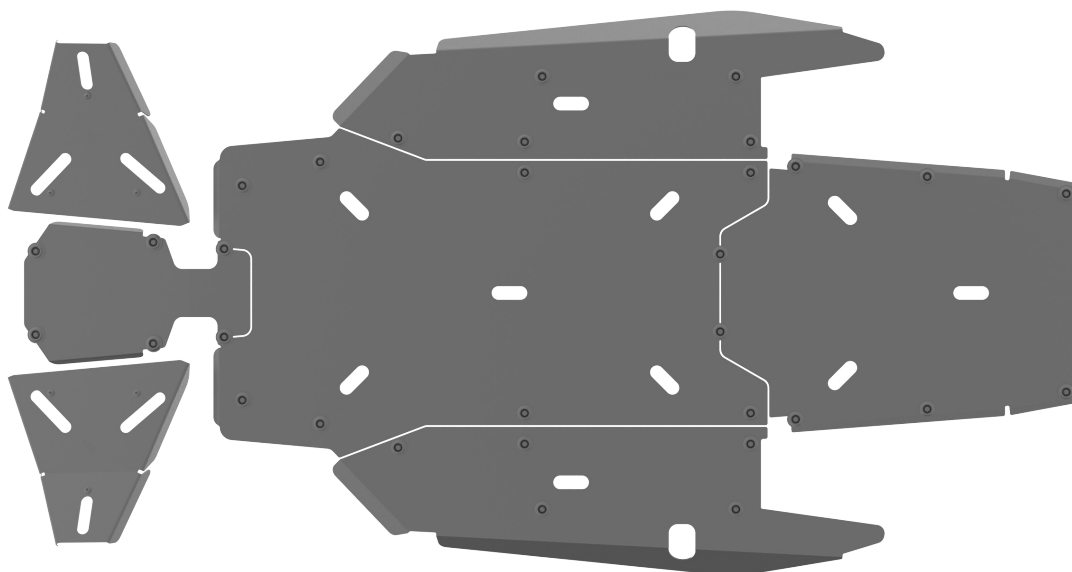


# SKID PLATES (64")



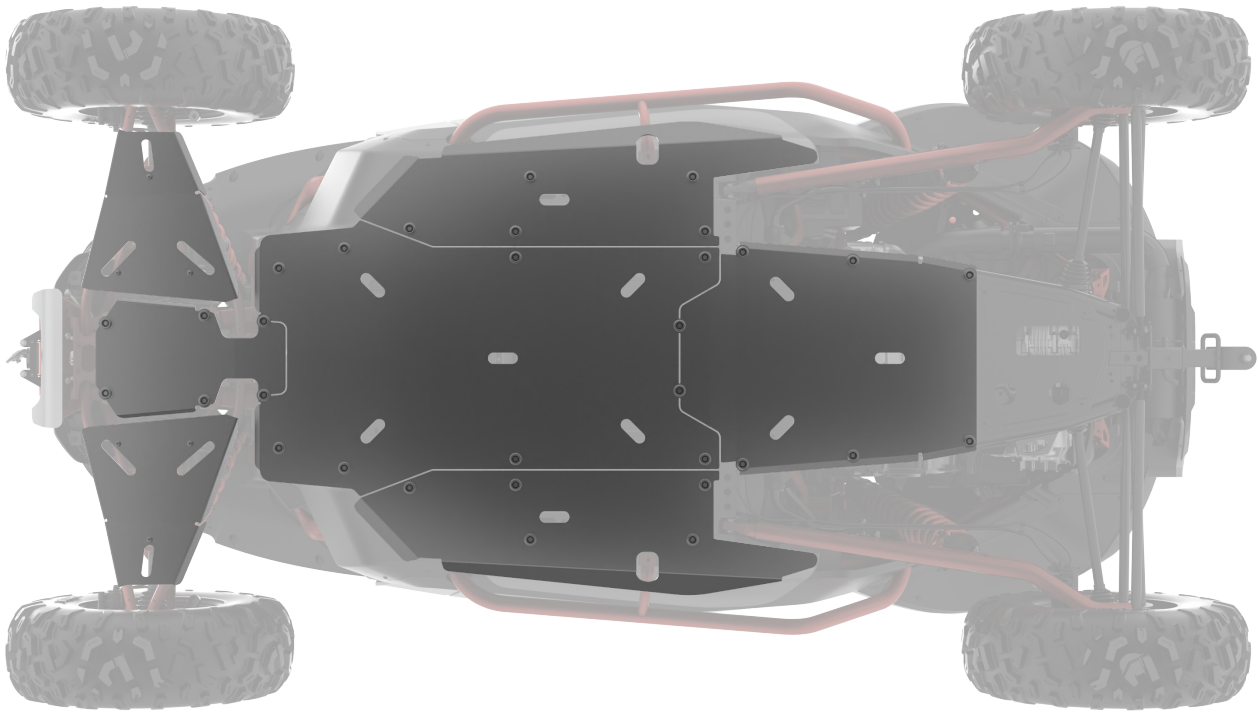
## SKID PLATES

- S01R10100001(For Villian SX10)
- High-strength 5052 Aluminum Plate
- Weighing About 18.157kg;
- Vehicle Chasis protection



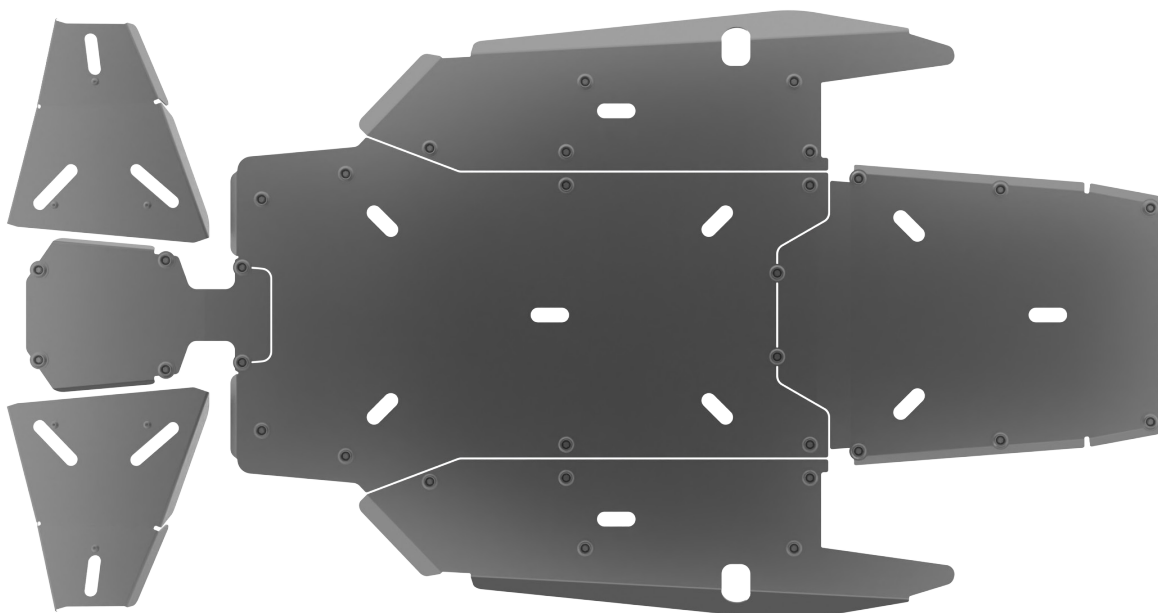


# SKID PLATES (72")



## SKID PLATES

- S05R10100001(For Villian SX10 W)
- High-strength 5052 Aluminum Plate
- Weighing About 18.157kg;
- Vehicle Chasis protection



# INVERTER GENERATOR



## SPECIFICATION

Model	SGW2000i	SGW2500i	SGW2700i
Running power (W)	1800	2100	2100
Starting power (W)	2000	2400	3000
Continuous running time (hrs)	6-20	5-20	5-20
Noise level dB(A)@7m	52-59		
N.W.(kg)	19.5		
DC output	5V/2A USB 12V/8A Cig socket		
Dimension	512 x 315 x 447mm		
Container load (Pack in pallet)	272pcs @20'GP 544pcs @40'GP		
Container load (Pack in bulk)	280pcs @20'GP 584pcs @40'GP 730pcs @40'HQ		

Model	SGW2000i	SGW2500i	SGW2700i
No.	A01-R000001-000-00	A01-R000002-000-00	A01-R000003-000-00





# INVERTER GENERATOR



ECO mode to adjust power output required by load;

All controls integrated in one-side control panel;

Reset function, no need to restart once overload;

AC receptacle, various for different countries;

US and Europe patented structure of dual-fan, dual-air channel, dual-muffler, and double-layer acoustic hood for better cooling, lower emission and noise.

## MAIN FEATURES:

- > 15% lower fuel consumption, especially conventional generators;
- > 2.5% lower THD stable output for precise instrument;
- > 50°C high-temperature environment workable, no overheating shut-down;
- > 8 minutes to access to any part, for easy inspection, maintenance or repair;
- > Starting direct gravity fuel supply, for better recoil starting by 1-2 pulls;
- > Patented outer structure of fully-enclosed housing for strength and lower noise;



**SEGWAY**

[powersports.segway.com](http://powersports.segway.com)